

DeLaval cooling tank DXOB

No frills, just cools!



Higher milk quality through efficient cooling

Although milk has a natural resistance to bacteria immediately after it leaves the cow, only rapid cooling will stop the growth of harmful bacteria.

Correct milk cooling is the only way to retain optimal quality and command the highest price from the dairy.

DeLaval cooling tank DXOB efficiently cools your milk so you can maximise your income.

Easy installation

This system's modular design combines with factory installation of refrigeration and electrical systems to provide fast,

trouble-free installation in your milk room. The table on the back page can help you choose the model best suited to your farm.

Insulation

DeLaval cooling tank DXOB incorporates environmentally friendly (CFC free), high-density polyurethane foam to prevent cold milk from warming up. A maximum temperature increase of less than 1°C over a 12-hour period (in an ambient temperature of 32°C) keeps the milk at the best possible temperature.

100% control

The electronic DeLaval control box MTR40 takes care of your cooling tank's daily operation. This device controls milk temperature, agitation and cooling time. Its digital display and function is specially designed for cooling purposes to make handling easy.



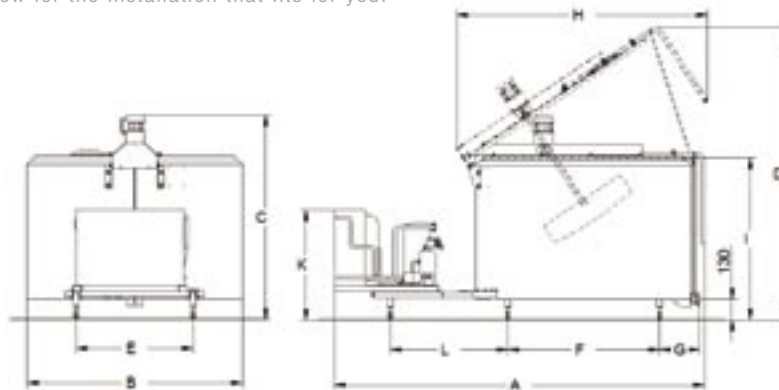
Top hygiene and quality

Cleaning is easy thanks to the high quality finish of the double-walled, stainless-steel shell.

The rounded shape of the lid prevents water remaining on it and minimizes the risk of dirt adhering to the surface.



Please check the table below for the installation that fits for you.



Dimensions in mm; Capacity in litres; Weight in kg

Capacity nominal	Capacity maximum	A	B	C	D	E	F	G	H	I	K	L	Weight
300	355	1750 – 1890	1000	1070	1800	530	660	220	1430	800	580	640	129 ÷ 145
400	427	1760 – 1890	1000	1200	1920	530	660	220	1430	920	580	640	146 ÷ 156
500	537	1850 – 2020	1110	1200	2040	590	750	240	1550	920	720	650	158 ÷ 199
600	611	1980 – 2020	1110	1290	2130	590	750	240	1550	1020	720	650	169 ÷ 204
700	712	2130	1250	1220	1750	670	860	250	1440	950	580	690	187 ÷ 187
800	815	2130 – 2170	1250	1320	1960	670	860	250	1440	1050	710	690	194 ÷ 225
1000	1038	2310 – 2380	1400	1320	1900	760	990	260	1630	1050	710	760	220 ÷ 254
1200	1202	2310 – 2420	1400	1450	2110	760	990	260	1600	1180	890	760	226 ÷ 264
1400	1457	2500 – 2590	1600	1370	1960	880	1150	280	1830	1100	890	760	255 ÷ 297
1600	1605	2550 – 2590	1600	1450	2130	880	1150	280	1830	1180	890	760	289 ÷ 321
1800	2075	2550 – 2590	1600	1700	2380	880	1150	280	1830	1430	890	760	310 ÷ 342

Note: the tanks 700 to 1800 are equipped with lid holder