

Capacities
from 800 to 2000 Liters

**Direct expansion
milk cooler**

50 Hz

Model shown : First 1300.SU
with outlet valve option.



Tank

Horizontal semi-cylindrical tank, with self-supporting double jacket structure, with opening cover, consisting of :

- Inner tank, stainless steel AISI 304,
- Very efficient full flow evaporator,
- Watertight welded outer tank, stainless steel AISI 304,
- Insulation with high density non CFC polyurethane foam, thickness 50 mm,
- Cover, stainless steel AISI 304 with 2 filling holes (Ø 200 mm) with plastic covers and gas springs for easy opening,
- Possibility to open cover on the right or on the left side of cooler,
- Four adjustable legs stainless steel,
- Threaded outlet Ø 51 DIN with plastic cover and chain.

Agitation and homogenization

Low speed gear motor (21rpm).

Automatic safety stop of agitator at cover opening.

Automatic programmed agitation as well as continuous agitation.

Homogenization of milk fat in 2 minutes according to norm ISO 5708.

Cooling equipment

Compact hermetic type cooling unit for 2BII or 4BII. Milk cooler supplied with or without cooling unit. R 22 or R 404A refrigerant.

Electric equipment

Automate box RL 5, fastened on the cover including :

- the control interfaces (stop, refrigeration start, continuous agitation start),
- the regulation and display of the milk temperature,
- the management and the control of the cooling, agitation, and alarms functions,
- the protection against voltage fluctuations.

Standard electric power :

230 V / 1P / 50 Hz for ≤ 2,5 hp.

400 V / 3P+N / 50 Hz for > 2,5 hp.

Standards

According to international standard ISO 5708 and european standard EN 13732.

According to european CE norms.

Options :

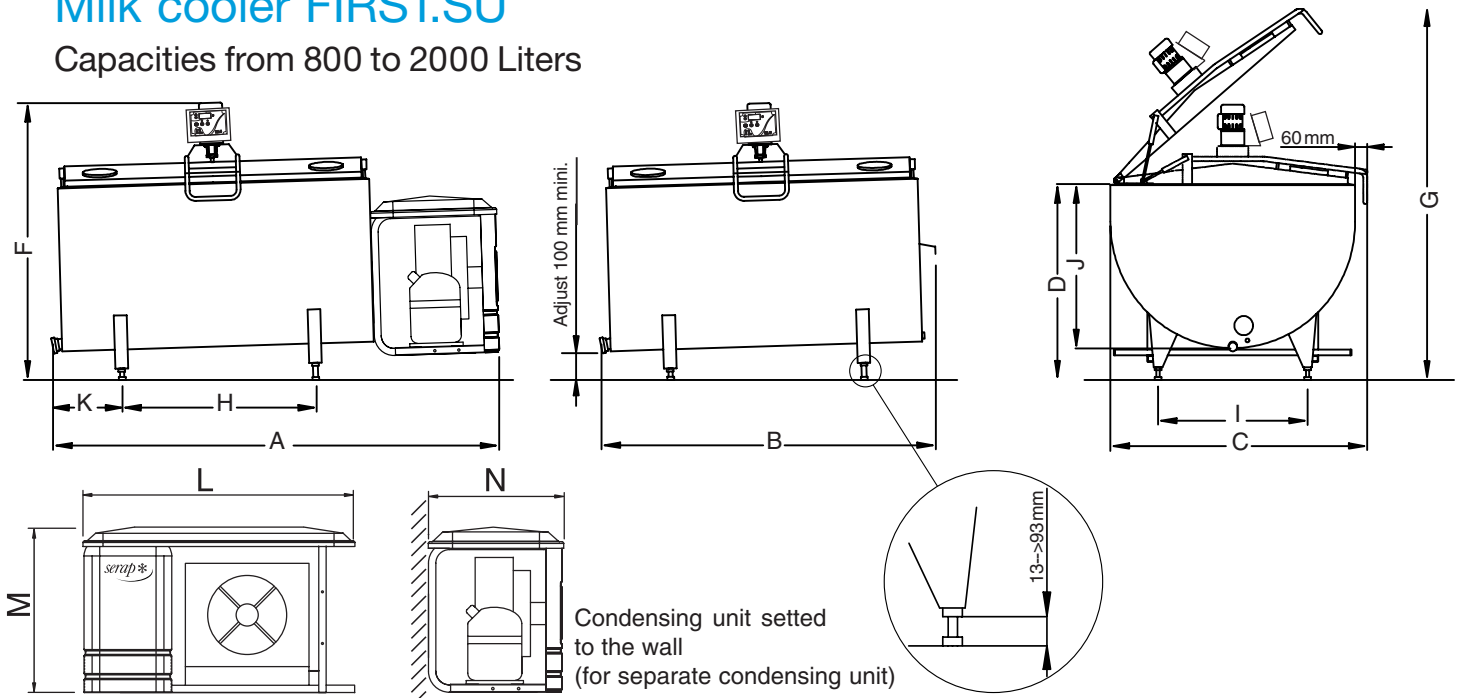
- Outlet valve (thread on request).
- HP and LP security pressure switches,
- Electric protection for cooling unit,
- Separate cooling unit (compressor power ≥ 1,25 hp),
- Pump-down regulation (for separate cooling unit),
- Exact calibration (accuracy 0.5%), approved by French Metrology Service,
- Electric power : 230V / 3P / 60 Hz or 230V / 1P / 60 Hz (according to model),
- Power supply 5 meters cable.

Accessories :

- Quick coupling on milk outlet valve SERAP.ID,
- Differential disjonctor breaker.

Milk cooler FIRST.SU

Capacities from 800 to 2000 Liters



Type	First 800.SU	First 1000.SU	First 1300.SU	First 1600.SU	First 2000.SU	
DIMENSIONS in mm - WEIGHT in kg - VOLUME in liters						
Nominal volume	800	1000	1300	1600	2000	
Maximum volume	850	1050	1390	1680	2090	
Total length (compact type)	A	1890	2190	2660	2660	
Tank length (without cooling unit)	B	1515	1815	2285	2285	
Width	C	1305	1305	1305	1565	1565
Minimum height	D	950	950	950	1130	1130
Total height	F	1440	1440	1440	1640	1640
Height with open cover	G	1915	1915	1915	2230	2230
Distance between legs in length	H	1085	1385	1455	1055	1455
Distance between legs in width	I	760	760	760	925	925
Tank height, legs not included	J	823	823	823	1003	1003
Distance between outlet and front legs	K	160	160	360	360	360
Tank weight without cooling unit		165	190	213	256	280
SPECIFICATIONS (2 milkings - ISO 5708 - performance 2 B II*)						
Cooling unit	FH 4531	FH 4531	TFH 4540	TAG 4553	TAG 4568	
Power (h.p.)	2,5	2,5	3	4,5	6	
Executions	C/1V	C/1V	C/1V	C/1V	C/1V	
Cooled nominal volume	800	1000	1300	1600	2000	
Standard electric power (50Hz)	Mono/230V	Mono/230V	Tri 400V	Tri 400V	Tri 400V	
Length	L	1170	1170	1170	1170	
Height	M	830	830	830	830	
Width	N	570	570	570	570	
Cooling unit weight		85	85	92	105	110
SPECIFICATIONS (4 milkings - ISO 5708 - performance 4 B II*)						
Cooling unit	CAJ 4517	**	FH 4524	FH 4531	TFH 4540	
Power (h.p.)	1,25	**	2	2,5	3	
Executions	C/1V	C/1V	C/1V	C/1V	C/1V	
Standard electric power (50Hz)	800	1000	1300	1600	2000	
Cooled nominal volume	Mono/230V	Mono/230V	Mono/230V	Mono/230V	Tri 400V	
Length	L	1170	1170	1170	1170	
Height	M	700	830	830	830	
Width	N	570	570	570	570	
Cooling unit weight		65	75	85	95	

Nota : The D heights are given with legs adjusted at minimum height ; the F and G heights are given with legs adjusted at maximum height.

*Results in an ambient temperature of +32°C - operating guaranteed at 38°C..

In these tanks the milk temperature, initially at 4°C, does not exceed 2,7°C after 12 hours, in an ambient temperature of 38°C.

** FH 4524 - 2hp - for R 22 / CAJ 4519 - 1,5hp - for R 404A.



ROUTE DE FOGÈRES • 53120 GORRON • FRANCE
 TÉL. (+33) (0)2 43 08 49 49 • FAX (+33) (0)2 43 08 66 19
 serap-industries@grouperap.com • www.grouperap.com



WP-1G-A01K ed. 09/04

S.A.S. AU CAPITAL DE 2 000 000 EUROS. SOCIÉTÉ INSCRITE AUPRÈS DU GREFFE DU TRIBUNAL DE COMMERCE DE MAYENNE. N° INTRACOMMUNAUTAIRE : FR 42 389 758 426 00024. CODE APE : 295E

THE S.A.S. SERAP INDUSTRIE COMPANY RESERVES THE RIGHT, WHILE PRESERVING THE ESSENTIAL CHARACTERISTICS OF THE MODELS DESCRIBED, TO INTRODUCE WITHOUT NOTICE ANY MODIFICATIONS AS MAY BE CONSIDERED NECESSARY TO IMPROVE THE MODELS DESCRIBED.