

## ICE BUILDER for MILK COOLING

**PIB 25 - 160**  
25 - 164 kWh

### Application

- ›Ice water has been used for many years in dairy farms and collection centres because it can cool large amounts of milk in a very short time.
- ›A lot of ice can be stored on a small area, which results in a compact space saving unit. Thanks to this large ice reserve; a huge amount of ice water at zero degrees can be produced.
- ›With automatic milking systems there is no risk of freezing even the smallest quantities of milk.

### Characteristics

- ›Construction of thick stainless steel sheets (18/10 – AISI 304) ensuring a long lifetime.
- ›Insulation between outer and inner vessel with environmental friendly PU-foam.
- ›This "sandwich" construction gives a very rigid and stable structure.
- ›Prevention of thermal losses; improvement of low energy consumption.
- ›The well dimensioned evaporator enables the storage of a large ice reserve, this guarantees a maximum cold transfer.
- ›The evaporator is made of seamless copper tubes and mounted in a stainless steel frame for a long lifetime.

### Ice builder controls

- ›Electrical control box incorporated (without cooling unit controls).
- ›An accurate ice thickness sensor activates the cooling system until an equal layer of ice is formed on all evaporator tubes.
- ›The thermostatic expansion valves are pre-mounted.

### Ice water agitation

- ›High pressure single phase air blower pushes compressed air through PVC collector on bottom of the ice-builder for an even meltdown of the ice.

### Cooling

- ›The ice water coming from the ice builder is transported with a single phase ice water pump through the heat exchanger of a DIB tank.

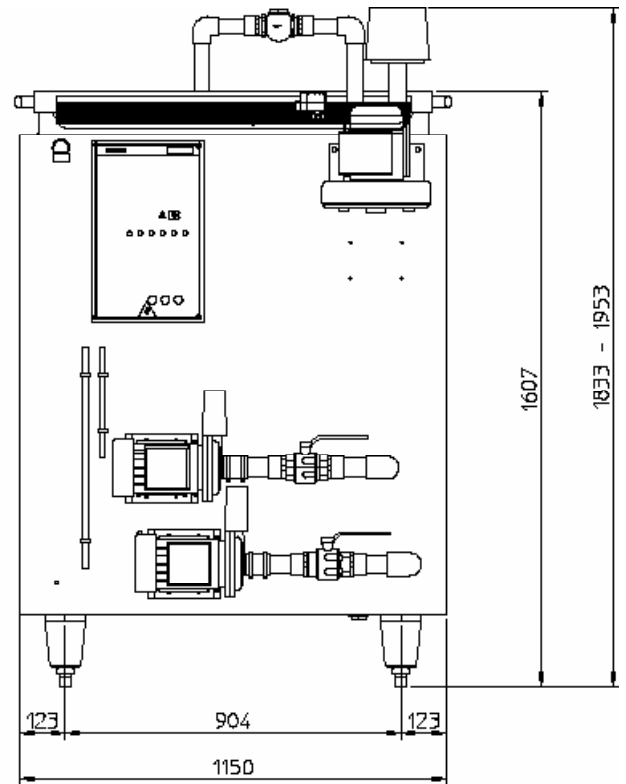
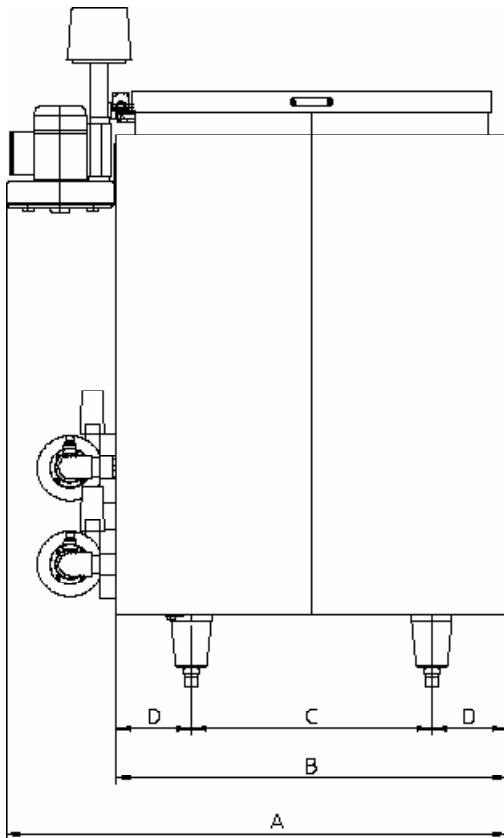


### Instant cooling

- ›The milk flows through a tubular or plate heat exchanger before entering the milk cooling tank. Ice water flows through this heat exchanger in the opposite direction. The milk is cooled to storage temperature before it enters the tank. Instant cooling requires an extra ice water pump, for which the PIB is already foreseen.

### Available options

- ›Time clock for use of night rate electricity.
- ›If the ice builder is used for the cooling of a Packo milk cooling tank with Dolphin 2.0 control, a night clock is already integrated in the Dolphin.
- ›Minimum ice thickness sensor.
- ›Electronic level control ice water.
- ›Extra ice water pump for instant cooling.
- ›Anti frost protection.



## PIB 25 - 160 Dimensions

Model	Cool. cap. kWh	Cool. cap. Kcal	Ice kg	A mm	B mm	C mm	D mm	Legs number	Weight kg
25	25.8	22160	277	1350	1052	648	202	4	320
40	41.2	35456	443	1350	1052	648	202	4	370
60	61.8	53184	665	1790	1492	1088	202	4	437
80	82.5	70912	886	2230	1932	1528	202	4	532
120	123.7	106368	1330	3110	2812	2408	202	6	690
160	164.9	141824	1773	3990	3692	3288	202	6	840

Subject to modifications. The photographs and descriptions provided are intended as a guide and may not always exactly match the items supplied.

